



VERDERFLEX OEM

S40 Six Roller Pumps

**Any questions?** You may still have questions and/or comments after reading this brochure. Please feel free to contact us on +44 (0)1924 221 020 You can also respond via email to [info@verderflex.com](mailto:info@verderflex.com). For more information about Verderflex please visit our website [www.verderflex.com](http://www.verderflex.com)



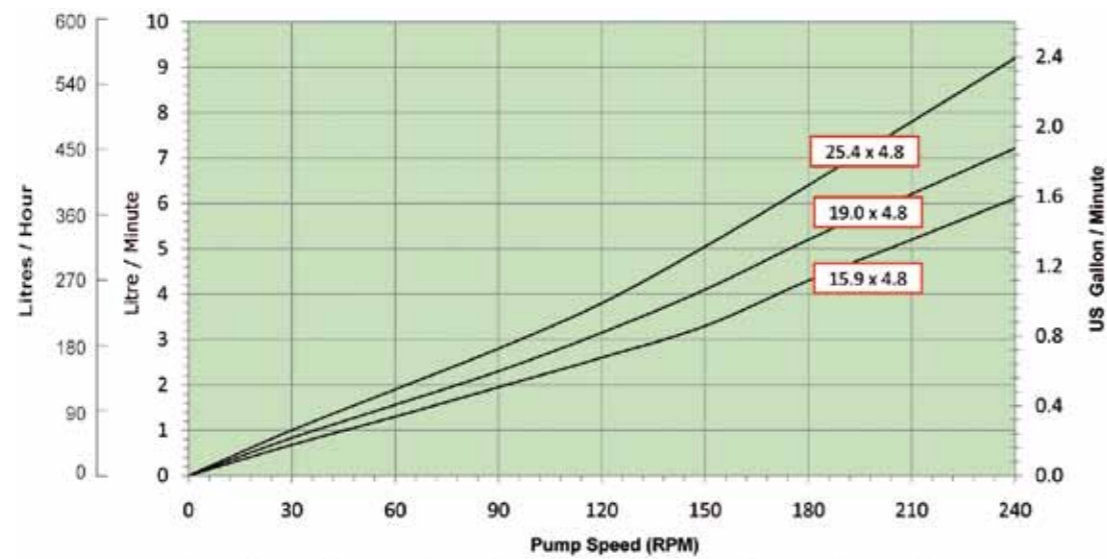
# S40 - 6 roller

The S40 pump head design features a quick tube change, ergonomic design for ease of use and accepts three standard tube sizes. Six roller option for low pulsation.

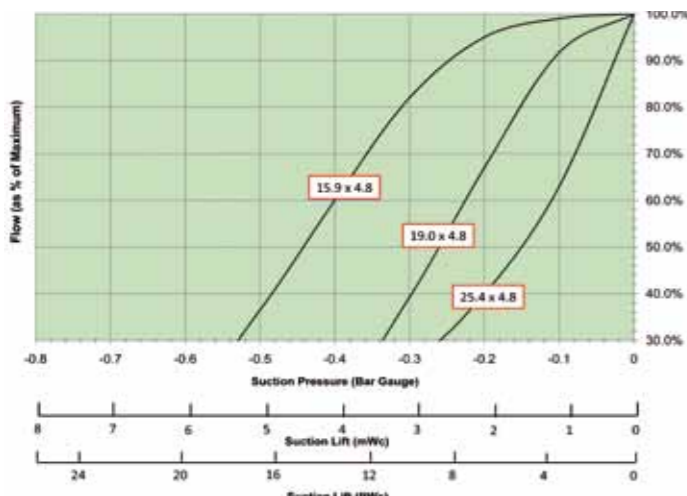


- Flow rates up to 9,000 ml/min (142.6 US GPH)
- Pressures up to 1.6 Bar (23 PSI)
- Typically used in:
  - Chemical dosing,
  - Industrial fluid transfer

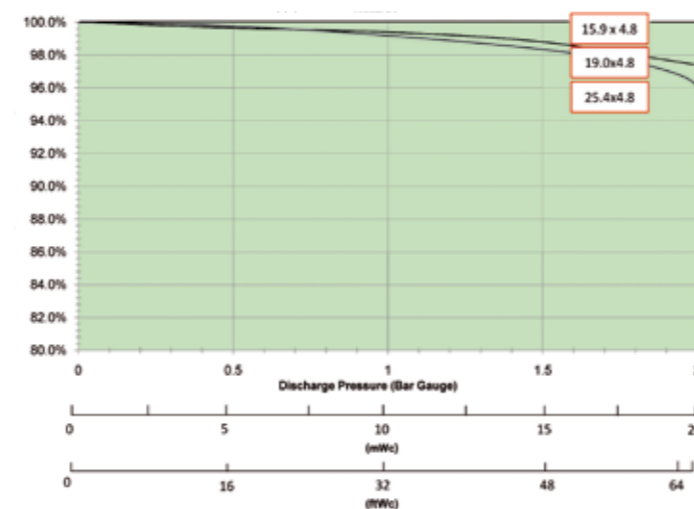
**S40 - 6 Roller Free Flow Curve**



## Suction



## Discharge



Flow rates with water at 20°C (68°F)

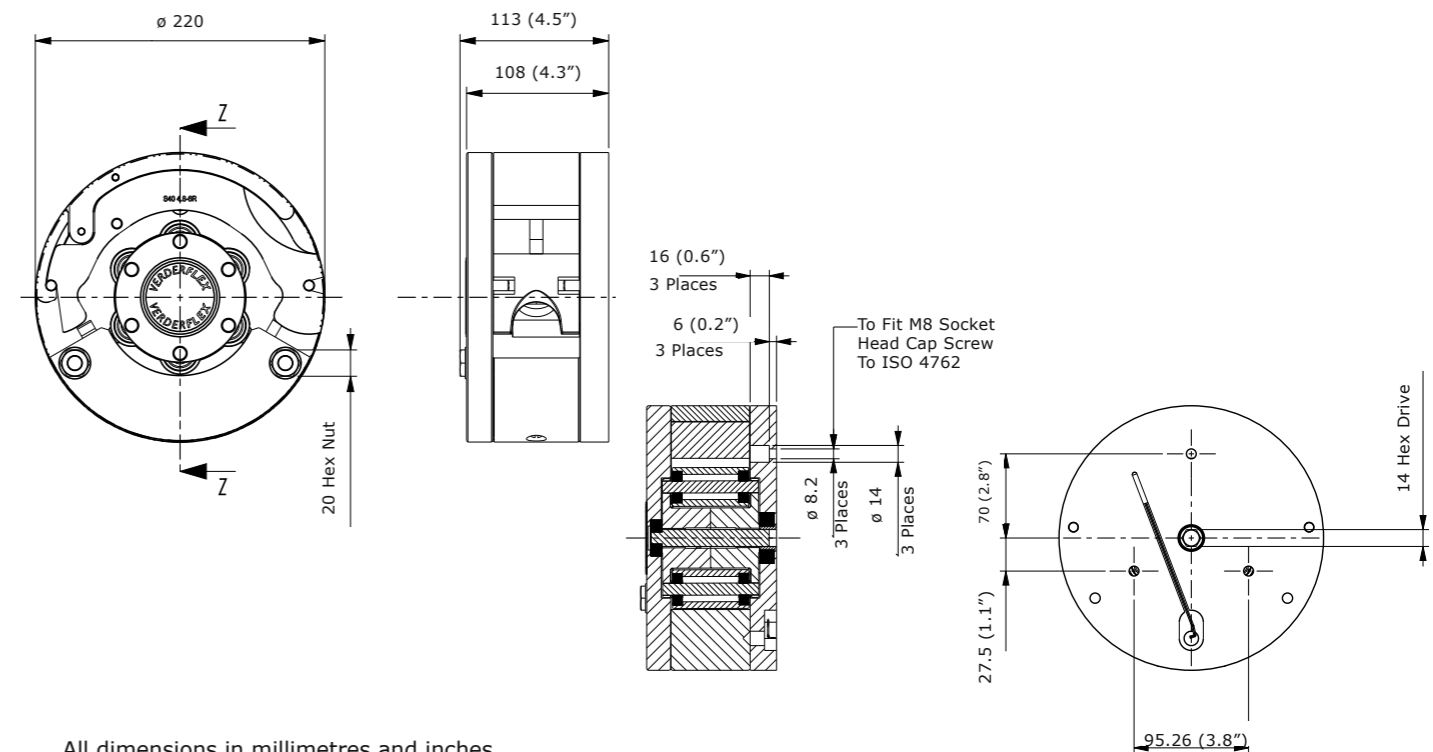
## Technical Overview

Pump Specifications	
Easy-fit tube saddle for rapid tube changes	BS EN 1474 6082 TF Aluminium Alloy construction
Fits a range of tube sizes and materials	Stainless Steel rotor shaft
Simple adjustable tube clamping system	Polyoxymethylene (POM) clamp-base
Fits a variety of pump enclosures	Polymethylmethacrylate (PMMA) clear cover
Multi-channel capability	316 Stainless Steel Rollers
Working Temperature	5 - 45°C or 41 - 113°F (T <sub>A</sub> = +20°C or 68°F)
Tube	Verderprene and Silicone
Tube Size	15.9 x 4.8mm, 19.0 x 4.8mm, 25.4 x 4.8mm

## Tube Size Options

Tube (ID x WT)	60 RPM	120 RPM	180 RPM	240 RPM	
15.9 x 4.8 mm (5/8" x 3/16")	1.3 ml/min 78 l/hr 20.6 GPH	2.6 156 41.2	4.4 261 68.95	6.1 366 96.67	
	19.0 x 4.8 mm (3/4" x 3/16")	2.6 ml/min 156 l/hr 41.2 GPH	3.2 192 50.72	5.4 324 85.6	7.2 432 114.1
		25.4 x 4.8 mm (1" x 3/16")	1.9 l/min 114 l/hr 30.15 GPH	3.8 228 60.23	6.2 372 106.2

## General Arrangement Drawing and Mounting Positions



All dimensions in millimetres and inches